

Stainless Steel Reach-In Refrigerator

Model No.

RR1-19-HC



RR1-19-HC

Features:

- HC refrigerant
- Stainless steel interior
- Electronic Thermostat and Digital LED Temperature Display
- High Efficiency CFC Free Insulation
- Stainless Steel Front and Sides
- Self-Closing Doors with Full Length Handle
- 3 Shelves Per Door
- Shipped with Casters Not Installed
- ETL Listed and ETL Sanitation Listed

You will appreciate the attractive professional aesthetics of these units which will add curb appeal to any type of business. Our units are featured with a heavy duty 304 stainless steel floor, 430 stainless steel exterior door, front panel, & interior walls, self-closing lockable doors, digital controls with a LED readout and foamed in place polyurethane cell insulation.

All units are supplied with casters not installed (2 Brake and 2 Non Brake). The single door includes 3 epoxy coated wire shelves, the double door includes 6 epoxy coated wire shelves and the triple door includes 9 epoxy coated wire shelves, all with adjustable mounting brackets for greater flexibility. The bottom mounted compressor designed to hold temperatures between 33° F and 41° F.

Warranty Info:

Three Year

- Parts & Labor on entire unit.
- Valid in United States.
- Valid for commercial use only.

Five Year

- Additional Compressor, Part Only.



* See last page for more information.



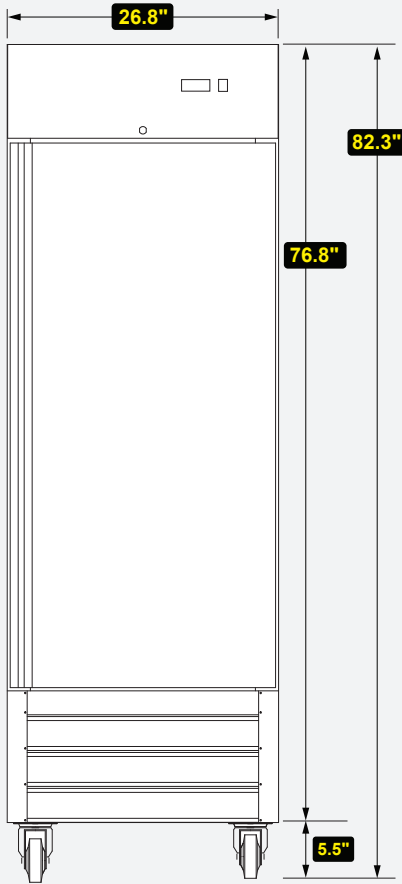
Conforms to UL Standard 471 and NSF Standard 7
 Certified to CSA Standard C22.2 No. 120

Revised 01/05/2023

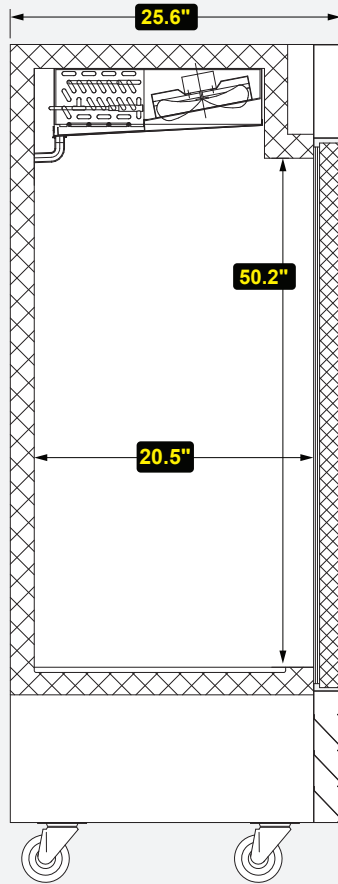
RR1-19-HC

Phone:(800).768.5953
 Fax:(800).976.1299

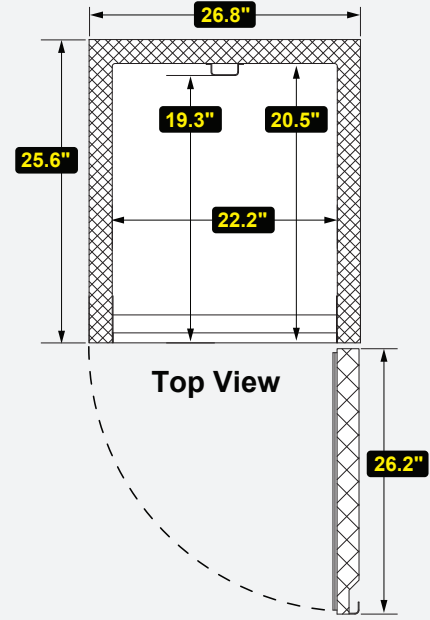
www.servware.com
 Copyright © 2023 Serv-Ware Products LLC.



Front View



Side View



Top View



NEMA 5-15P

➤ Technical Information:

MODEL #	DESCRIPTION	DIMENSIONS	WEIGHT/LBS.
		(W x D x H)	(Shipping)
RR1-19-HC	1 Door 19 cu. ft. Refrigerator	26.8" W x 25.6" D x 82.3" H	295 lbs.

CONSTRUCTION	
Exterior Material	430 Stainless Steel
Interior Material	430 S/S Walls with 304 S/S Floor
Insulation Material	CFC Free Foam
Shelf Material	Epoxy Coated Foam

COOLING	
Temperature Range	33°F – 41°F
Refrigerant+ Charge oz.	R290 / 2.82 oz.
BTU/H	1670
Defrosting	Every 6 Hours
Horse Power	1/5
Storage Capacity	19 cu. ft.

ELECTRICAL	
Voltage	115
Amps	3
Hz	60
Phase	1

ADDITIONAL INFORMATION

*Installation by certified commercial restaurant equipment installer recommended. Inspection before and after installation by licensed electrician for safe operation. Product designed for **commercial interior** usage in a climate controlled location with adequate air circulation and not adjacent to a high temperature source.*



Prop. 65 Warning for California Residents
 WARNING: This product may contain chemicals known to the State of California to cause cancer, birth defects, or other reproductive harm.



Phone:(800).768.5953
 Fax:(800).976.1299

RR Series - Refrigeration

Notify carrier of damage! Inspect all components immediately.

Serv-Ware Products warrants to the original owner/user that any Refrigerator or Freezer manufactured shall be free of defects in material or workmanship, under normal use and maintenance, for a period of three (3) years* from the original installation date or a maximum of thirty (42) months after the shipment date from Serv-Ware Products. ***(Products purchased by the dealer before 06/09/22 will retain the original 2 year warranty)** Proper installation and start-up in accordance with the instruction manual supplied will be taken into consideration when evaluating the warranty on the specified equipment. Labor warranty charges are valid in the United States only.

The labor warranty shall include standard labor charges at the product location only. The end user is responsible for any emergency, overtime, or long-distance travel charges. Any labor service required to fulfill the warranty obligation must be performed by a refrigeration service company qualified and accepted by Serv-Ware Products. Billing will be handled between the service company and manufacturer directly, there will be no compensation for charges not billed to Serv-Ware Products by the service company. Serv-Ware Products reserves the right to have any warranty "failed" parts returned to the factory for inspection before agreeing to covering the above stated warranty labor charges.

This warranty does not include parts & labor coverage resulting from:

- External electrical power failure or improper supply voltage to product.
- Adverse operating conditions for the product.
- Failure to clean the condenser coil and/or maintain the product.
- Standard wear & tear items such as gaskets, light bulbs, and door hinges.
- Damage that is caused by employees or customers.
- Any part or assembly that has been altered, modified, or changed.
- Equipment usage in a residential or non-commercial setting.

In addition to the three (3) year warranty stated above, Serv-Ware Products warrants its compressors to be free from defects in both material and workmanship, under normal use and maintenance, for a period of five (5) additional years from the date of original installation after shipment from Serv-Ware Products. The five (5) year compressor warranty applies only to the compressor part itself and does not apply to any other parts, components, or labor charges involved in replacement of compressor. The compressor failure must be verified by Serv-Ware Products via a qualified service technician at the end user's expense. Serv-Ware Products reserves the right to have the "failed" compressor returned to the factory for inspection before issuing a warranty compressor part only.

LIMITATION OF LIABILITY AND OTHER WARRANTIES

Serv-Ware Products assumes no liability for misuse or inadequate maintenance of the Product. **In no event shall the user be entitled to recover incidental or consequential damages. Including but not limited to; damages for inconvenience, food loss, rental or replacement equipment, loss of profits, or other commercial loss.** Warranties stated above are the only warranties made in connection with the sale and distribution of the Products. **ANY AND ALL OTHER EXPRESSED STATUTORY AND IMPLIED WARRANTIES APPLICABLE TO THE PRODUCT INCLUDING, WITHOUT LIMITATION, ALL IMPLIED WARRANTIES OF MERCHANTABILITY AND FITNESS FOR USE ARE EXPRESSLY DISCLAIMED.** The warranty information set forth above shall be governed by and construed in accordance with the laws of the State of North Carolina and, if applicable, the laws of the United States of America. The warranty, as stated, is extended only to the original owner/user and is not assignable. Serv-Ware reserves the right to change product specifications without notice due to constant product improvement.