

Item# \_\_\_\_\_  
Project: \_\_\_\_\_  
Qty: \_\_\_\_\_

# Hot Food Table

**EST3-1**



Serv-Ware

## Features

- Stainless heating elements
- Adjustable stainless steel feet
- Designed to hold pre-cooked foods at safe hot food holding temperature
- 3 independent infinite controls
- 3 Bays, open well accommodates standard size pans (\*NOT Included)
- Includes a 430 series stainless under shelf and a 201 series stainless legs
- Removable cutting board
- 1500w/120v
- 6' cord



Serv-Ware  
[www.servware.com](http://www.servware.com)

Phone:(800).768.5953

Fax:(800).976.1299

Revised 11/18

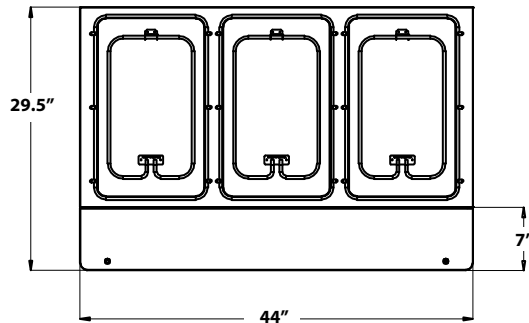
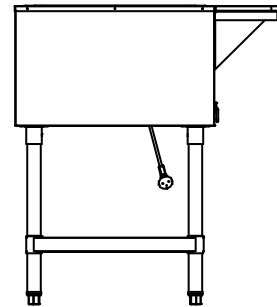
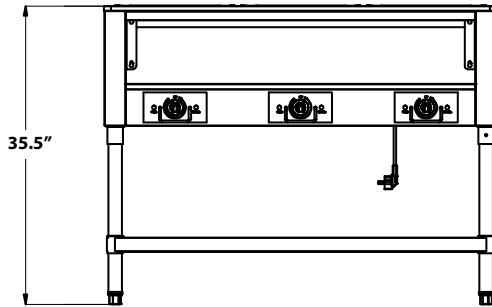
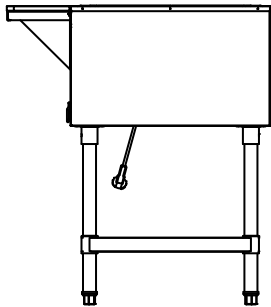
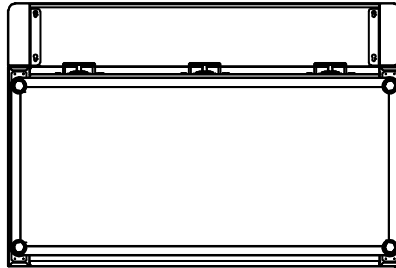
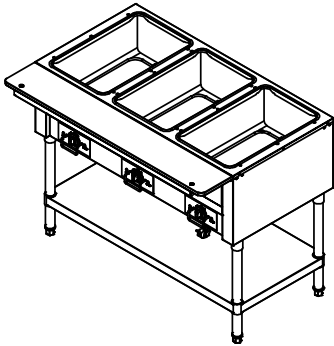
Item# \_\_\_\_\_

Project: \_\_\_\_\_

Qty: \_\_\_\_\_

**EST3-1**

# Hot Food Table



Serv-Ware



<b>Model</b>	<b>Description</b>	<b>Dimensions</b> (H x W x D)	<b>Weight / lbs.</b> (Shipping)
EST3-1	3 Bays, open well hot food table	33.5" H X 44" W X 29.5" D	84 lbs.



Serv-Ware  
[www.servware.com](http://www.servware.com)

Phone: (800).768.5953

Fax: (800).976.1299

Revised 11/18

