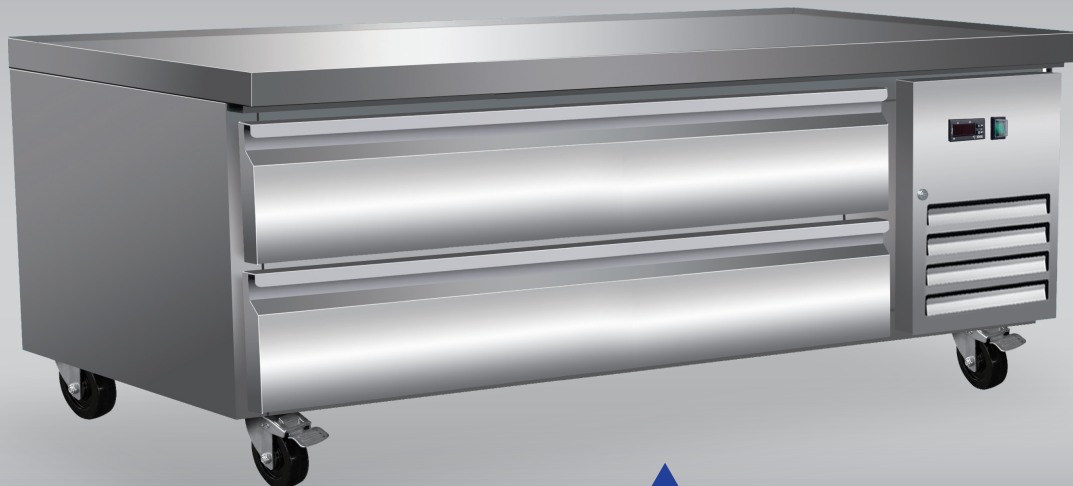


# Chef Base

Model No.

**CB60-HC**



**CB60-HC**

## Features:

- HC refrigerant
- CFC free foam
- Stainless steel framework construction
- Electronic thermostat and digital LED temperature display
- Auto defrosting and auto evaporation of condensation
- Magnetic gaskets
- Unit ships with casters installed (2 brake & 2 non brake)

## Warranty Info:

### One Year

- Parts & Labor on entire unit.
- Valid in United States.
- Valid for commercial use only.

### Four Year

- Additional Compressor, Part Only.



\* See last page for more information.

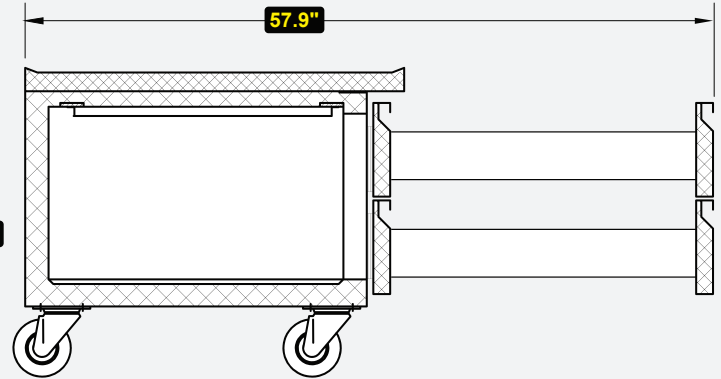
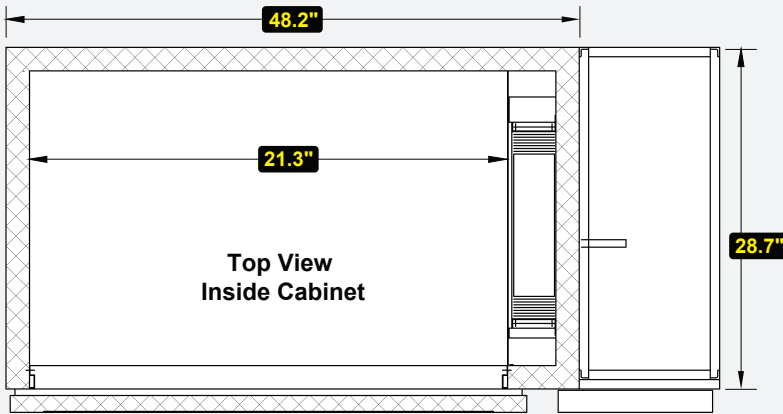
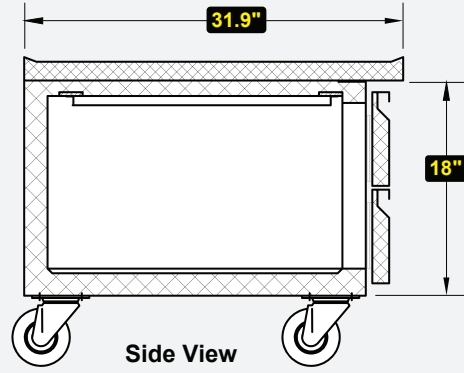
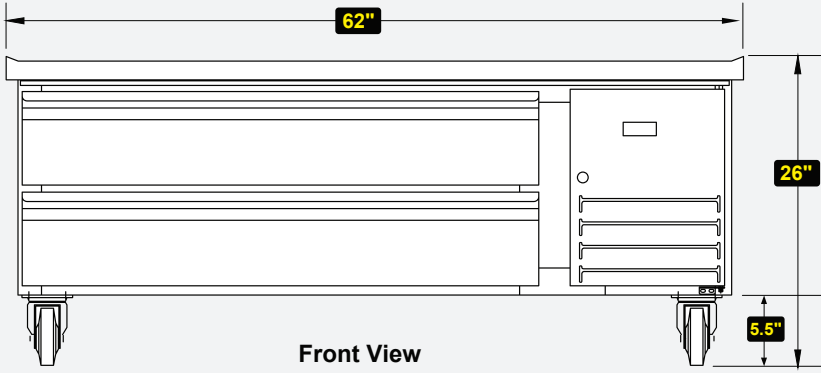


Revised **02/16/2023**

**CB60-HC**



[www.servware.com](http://www.servware.com)  
 Phone:(800).768.5953  
 Fax:(800).976.1299



NEMA 5-15P

➤ **Technical Information:**

| MODEL # | DESCRIPTION              | DIMENSIONS              | WEIGHT/LBS. |
|---------|--------------------------|-------------------------|-------------|
|         |                          | ( W x D x H )           | (Shipping)  |
| CB60-HC | 8.8 cu. ft. Refrigerator | 62" W x 31.9" D x 26" H | 310 lbs.    |

| CONSTRUCTION        |                 |
|---------------------|-----------------|
| Exterior Material   | Stainless Steel |
| Interior Material   | Stainless Steel |
| Insulation Material | CFC Free Foam   |
| Shelf Material      | Stainless Steel |
| Drawers             | 2               |
| Weight Capacity     | 450 lbs.        |

| COOLING                 |                 |
|-------------------------|-----------------|
| Temperature Range       | 33°F – 41°F     |
| Refrigerant+ Charge oz. | R290 / 2.82 oz. |
| BTU/H                   | 3200            |
| Defrosting              | Every 6 Hours   |
| Horse Power             | ??              |
| Storage Capacity        | 8.8 cu. ft.     |

| ELECTRICAL |     |
|------------|-----|
| Voltage    | 115 |
| Amps       | 2.1 |
| Hz         | 60  |
| Phase      | 1   |

**ADDITIONAL INFORMATION**

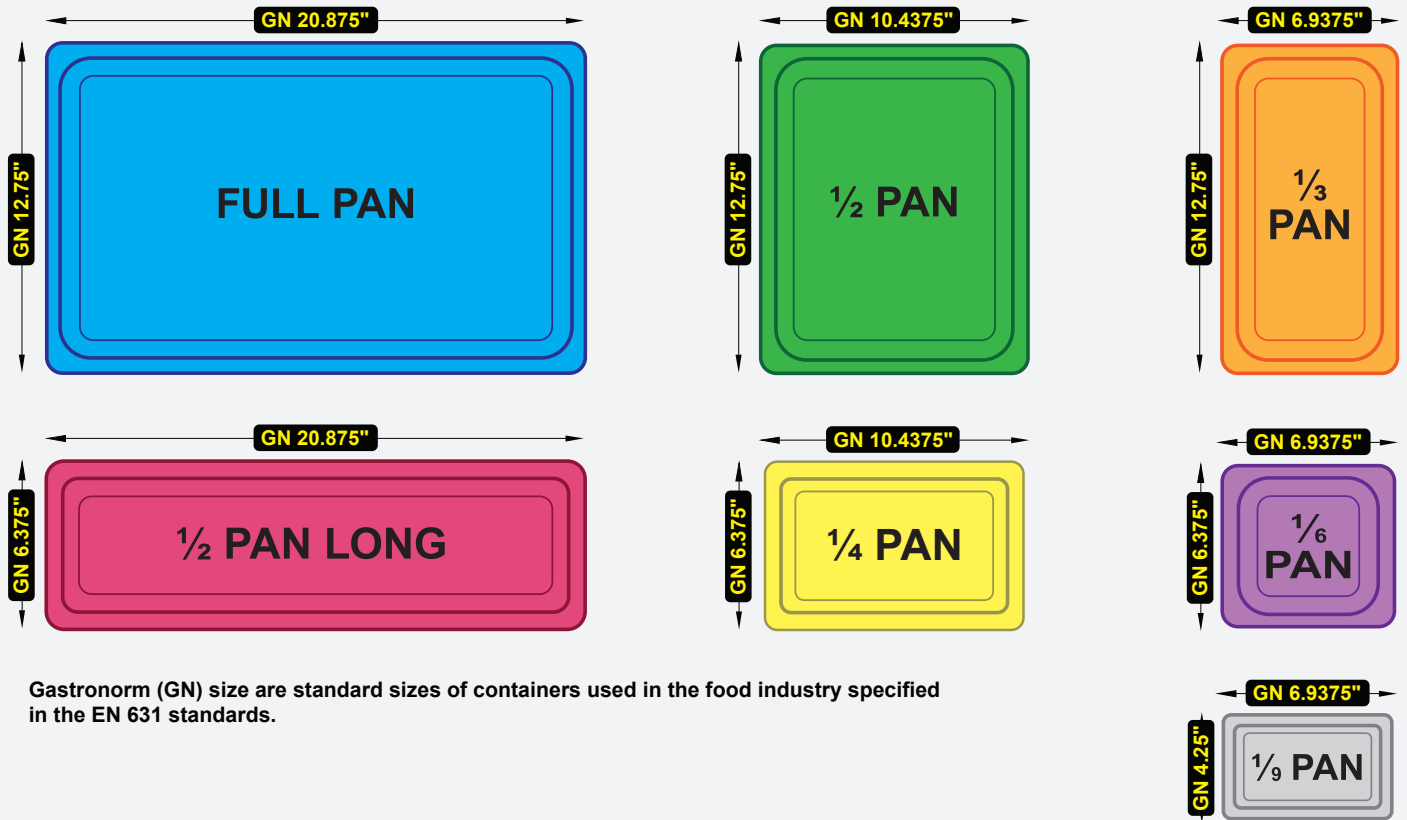
*Installation by certified commercial restaurant equipment installer recommended. Inspection before and after installation by licensed electrician for safe operation. Product designed for **commercial interior** usage in a climate controlled location with adequate air circulation and not adjacent to a high temperature source.*



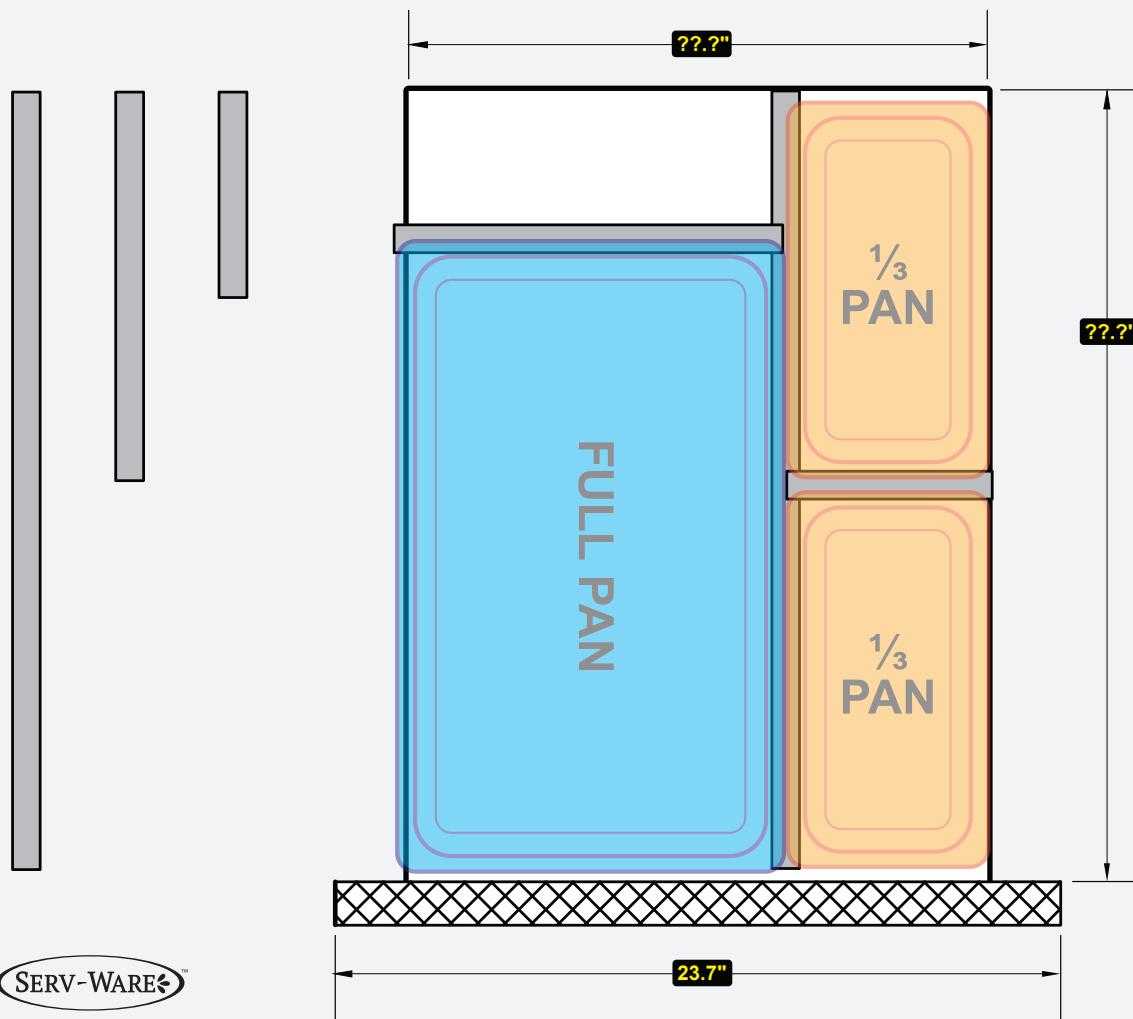
Prop. 65 Warning for California Residents  
**WARNING:** This product may contain chemicals known to the State of California to cause cancer, birth defects, or other reproductive harm.



Phone:(800).768.5953  
 Fax:(800).976.1299



Gastronorm (GN) size are standard sizes of containers used in the food industry specified in the EN 631 standards.



## CB Series - Chef Base Refrigeration

**Notify carrier of damage! Inspect all components immediately.**

Serv-Ware Products warrants to the original owner/user that any Refrigerator or Freezer manufactured shall be free of defects in material or workmanship, under normal use and maintenance, for a period of one (1) years from the original installation date or a maximum of eighteen (18) months after the shipment date from Serv-Ware Products. Proper installation and start-up in accordance with the instruction manual supplied will be taken into consideration when evaluating the warranty on the specified equipment. Labor warranty charges are valid in the United States only.

The labor warranty shall include standard labor charges at the product location only. The end user is responsible for any emergency, overtime, or long-distance travel charges. Any labor service required to fulfill the warranty obligation must be performed by a refrigeration service company qualified and accepted by Serv-Ware Products. Billing will be handled between the service company and manufacturer directly, there will be no compensation for charges not billed to Serv-Ware Products by the service company. Serv-Ware Products reserves the right to have any warranty "failed" parts returned to the factory for inspection before agreeing to covering the above stated warranty labor charges.

### **This warranty does not include parts & labor coverage resulting from:**

- External electrical power failure or improper supply voltage to product.
- Adverse operating conditions for the product.
- Failure to clean the condenser coil and/or maintain the product.
- Standard wear & tear items such as gaskets, light bulbs, and door hinges.
- Damage that is caused by employees or customers.
- Any part or assembly that has been altered, modified, or changed.
- Equipment usage in a residential or non-commercial setting.

In addition to the one (1) year warranty stated above, Serv-Ware Products warrants its compressors to be free from defects in both material and workmanship, under normal use and maintenance, for a period of four (4) additional years from the date of original installation but not to exceed five (5) years and 6 months after shipment from Serv-Ware Products. The four (4) year extended compressor warranty applies only to the compressor part itself and does not apply to any other parts, components, or labor charges involved in replacement of compressor. The compressor failure must be verified by Serv-Ware Products via a qualified service technician at the end user's expense. Serv-Ware Products reserves the right to have the "failed" compressor returned to the factory for inspection before issuing a warranty compressor part only.

### **LIMITATION OF LIABILITY AND OTHER WARRANTIES**

Serv-Ware Products assumes no liability for misuse or inadequate maintenance of the Product. **In no event shall the user be entitled to recover incidental or consequential damages. Including but not limited to; damages for inconvenience, food loss, rental or replacement equipment, loss of profits, or other commercial loss.** Warranties stated above are the only warranties made in connection with the sale and distribution of the Products. **ANY AND ALL OTHER EXPRESSED STATUTORY AND IMPLIED WARRANTIES APPLICABLE TO THE PRODUCT INCLUDING, WITHOUT LIMITATION, ALL IMPLIED WARRANTIES OF MERCHANTABILITY AND FITNESS FOR USE ARE EXPRESSLY DISCLAIMED.** The warranty information set forth above shall be governed by and construed in accordance with the laws of the State of North Carolina and, if applicable, the laws of the United States of America. The warranty, as stated, is extended only to the original owner/user and is not assignable. Serv-Ware reserves the right to change product specifications without notice due to constant product improvement.